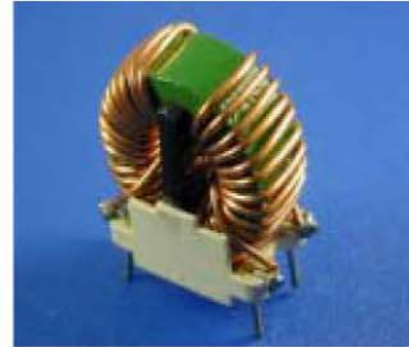


FEATURES

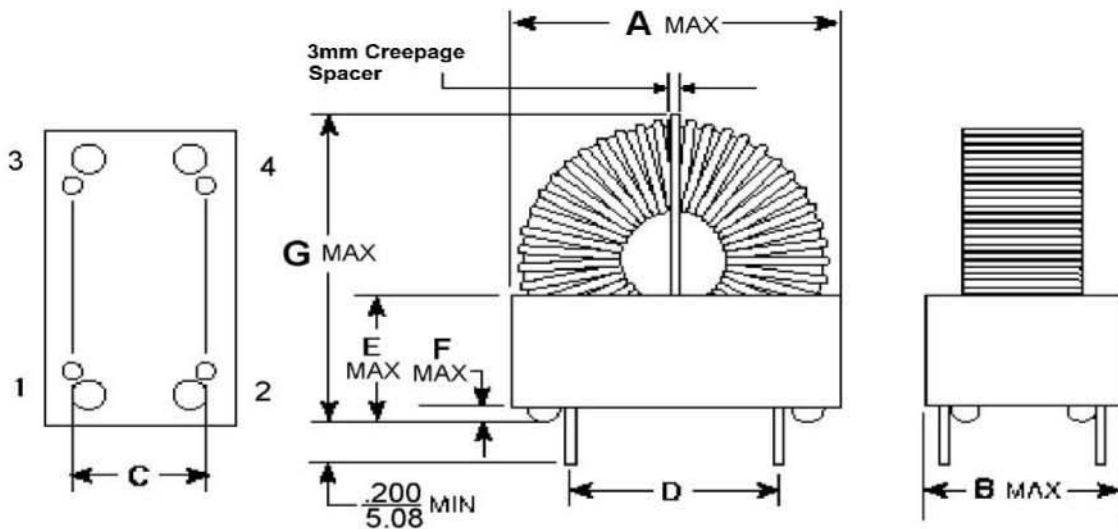
- Low profile or vertical mounting available
- Windings balanced within one percent
- For use in switching power supply input filter circuits
- Dielectric strength 1250 Vrms
- Designed with 3.0 mm minimum creep distance between windings



Electrical Specifications @25°C —Operating Temperature-30 to+130°C

Part Number	Rated RMS Current (Amps)	Load VA at RMS Line		Inductance at 1KHz (mH MIN)	Test Level Volts RMA 1.0KHz	Leakage Inductance 130KHz (μH MIN)	DCR Max.each WDG (Ω)	Package Number	Lead Diameter Inches±.003	
		117V	220V						Low Profile	Vertical Mount
TC-68T1031V	1.8	210	420	10.0	0.50	130	0.240	1	0.032	0.032
TC-68T3021V	3.5	400	800	3.0	0.20	35	0.060	1	0.032	0.032
TC-68T1021V	6.0	700	1400	1.0	0.08	12	0.020	1	0.036	0.036
TC-68T1632V	2.6	300	600	16.0	1.00	180	0.160	2	0.032	0.040
TC-68T8022V	3.2	375	750	8.0	0.50	90	0.120	2	0.032	0.040
TC-68T4022V	5.2	600	1200	4.0	0.20	45	0.040	2	0.036	0.036
TC-68T2022V	7.5	875	1750	2.0	0.08	25	0.020	2	0.047	0.047

DIMENSIONS



PACKAGE NUMBER	A	B	C	D	E	F	G
1	1.15	.550	.400	.800	.45	.015	1.15
	29.21	13.97	10.15	20.32	11.43	0.38	29.21
2	1.44	.800	.600	.900	.70	.030	1.50
	36.57	20.32	15.24	22.86	17.78	0.76	38.10

Dimensions: inches/mm
Unless otherwise specified,
all tolerances are ± .010/± 0.25